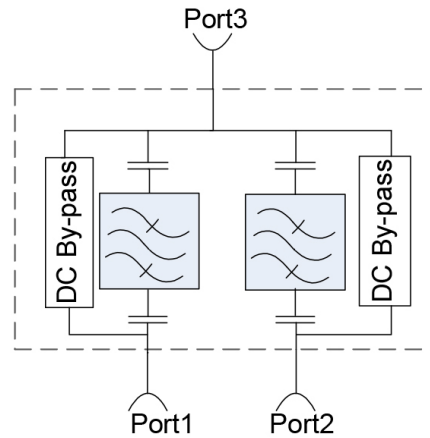


Block Diagram



Outline Drawing

