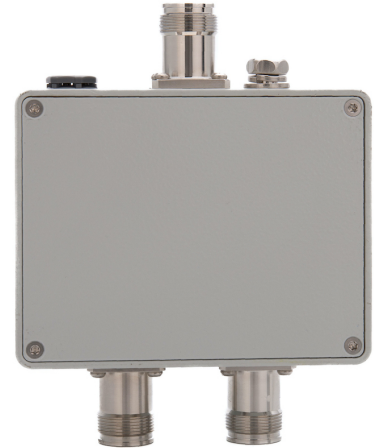


Highlights

- Integrated structure design: Filter is milled from one solid piece and has no soldered parts, guaranteeing superior electrical performance.
- Built-in lightning protection.
- Customizable DC/AISG allows full compatibility with requiring TMAs.
- Extremely lightweight and compact size.
- High-power design, customizable for various applications such as 100W/200W/300W, and more.
- Lower PIM, -160dBc @ 20w, tested on each port and each frequency band.
- Customized products are available.
- IP67 protection ensures stable performance in any environment.



Models	Descriptions
D19A1760S	-160dBc, Single Unit, 4.3-10 Type
D19A1760D	-160dBc, Double Unit, 4.3-10 Type
D19A1760S-D	-160dBc, Single Unit, DIN Type
D19A1760D-D	-160dBc, Double Unit, DIN Type

ELECTRICAL SPECIFICATIONS

Frequency	1850-2000MHz/1695-1780MHz&2110-2180MHz
Intermodulation	$\leq -160\text{dBc}$ (IMD3 with $2 \times 20\text{W}$)
Insertion Loss	$\leq 0.4\text{dB}$
Isolation	$\geq 50\text{dB}$
VSWR	≤ 1.25
Impedance	50Ω
Power Handling	300w Average
DC Bypass/AISG	MAX 3000mA
Lightning Protection	3KA; 10/350 μs Pulse
MTBF	$\geq 500,000\text{h}$

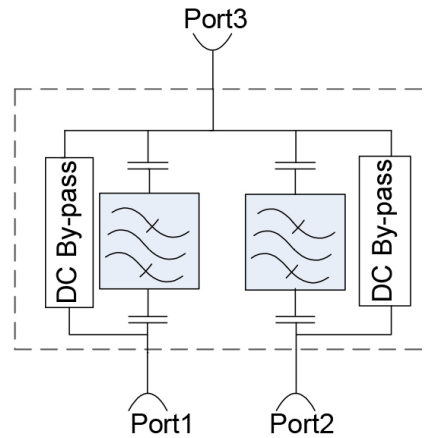
ENVIRONMENTAL SPECIFICATIONS

Operating Temperature	-20°C to +60°C -4°F to +140°F
Storage Temperature	-40°C to +85°C -40°F to +185°F
Relative Humidity	Up to 95%
Application	Indoor or Outdoor (IP67)

MECHANICAL SPECIFICATIONS

Color	Gray
Connectors	4.3-10 Female or DIN Female
Weight	1.2Kg 2.65lb/Single Unit 2.4Kg 5.29lb/Double Unit
Dimensions	120*115*45mm 4.72*4.53*1.77in/Single Unit 120*115*99mm 4.72*4.53*3.9in/Double Unit

Block Diagram



Outline Drawing

