

## Highlights

- Integrated structure design: Filter is milled from one solid piece and has no soldered parts, guaranteeing superior electrical performance.
- Built-in lightning protection.
- Customizable DC/AISG allows full compatibility with requiring TMAs.
- Extremely lightweight and compact size.
- High-power design, customizable for various applications such as 100W/200W/300W, and more.
- Lower PIM, -160dBc @ 20w, tested on each port and each frequency band.
- Customized products are available.
- IP67 protection ensures stable performance in any environment.



Models	Descriptions
D39172760S	-160dBc, Single Unit, 4.3-10 Type
D39172760D	-160dBc, Double Unit, 4.3-10 Type
D39172760S-D	-160dBc, Single Unit, DIN Type
D39172760D-D	-160dBc, Double Unit, DIN Type

## ELECTRICAL SPECIFICATIONS

Frequency	380-960MHz /1710-2700MHz
Intermodulation	≤-160dBc (IMD3 with 2×20W)
Insertion Loss	≤0.25dB
Isolation	≥60dB
VSWR	≤1.25
Impedance	50Ω
Power Handling	300w Average
DC Bypass/AISG	MAX 3000mA
Lightning Protection	3KA; 10/350μs Pulse
MTBF	≥500,000h

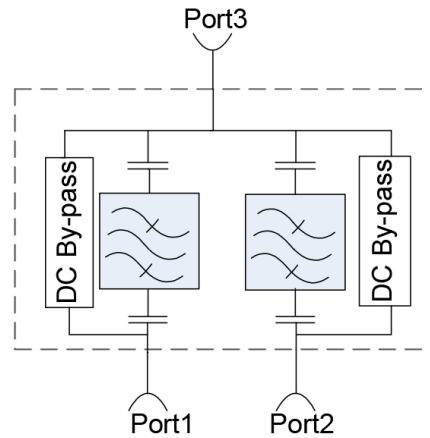
## ENVIRONMENTAL SPECIFICATIONS

Operating Temperature	-20°C to +60°C   -4°F to +140°F
Storage Temperature	-40°C to +85°C   -40°F to +185°F
Relative Humidity	Up to 95%
Application	Indoor or Outdoor (IP67)

## MECHANICAL SPECIFICATIONS

Color	Gray
Connectors	4.3-10 Female or DIN Female
Weight	1.8Kg   3.97lb/Single Unit <span style="float: right;">3.6Kg   7.94lb/Double Unit</span>
Dimensions	181*103*50mm   7.12*4.05*1.96in/Single Unit 181*103*106mm   7.12*4.05*4.17in/Double Unit

## Block Diagram



## Outline Drawing

