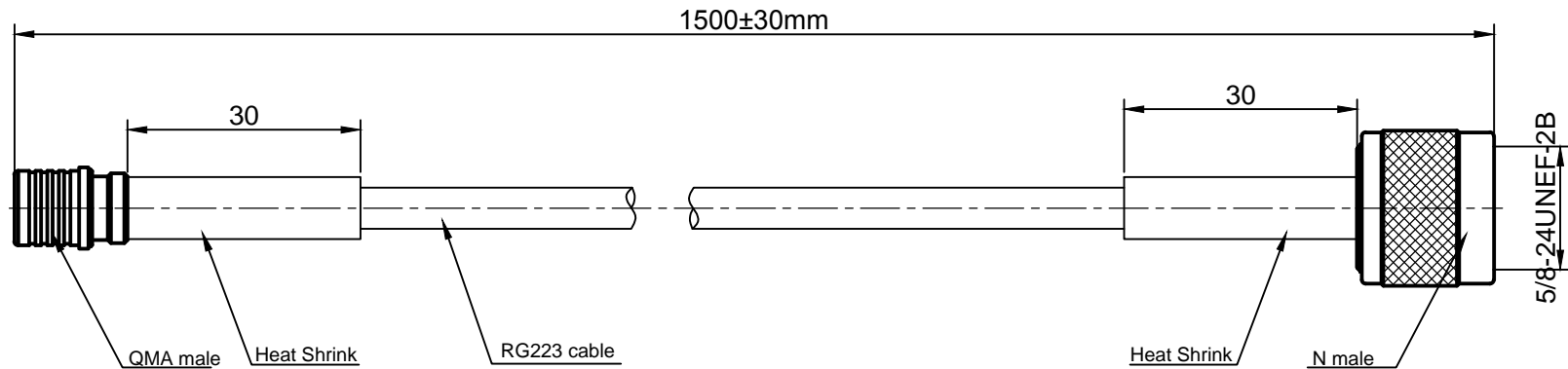


RevNo	Revision note	Date	Signature	Checked
00	Sketch Only	08/20/2021		



Material & Finishing:

- Center conductor: Brass, Silver Plating
- Insulators: PTFE
- Body : Brass, Ternary alloy/Nickle Plating
- Other: Brass, Ternary alloy/Nickle Plating

Electrical Data:

- Impedance: 50 Ohms
- Frequency: DC~6GHz
- VSWR: ≤ 1.15 (698~2700MHz)
- Insulation resistance: $\geq 5000M\Omega$

ALL DIMENSIONS ARE IN MILLIMETERS AND [INCHES] Unit:mm

RoHS Compliant.

UNLESS OTHERWISE NOTED ALL SURFACES FINISHED TO 64 MAX.		
ALL TOLERANCES ARE:		
DECIMALS	FRACTIONS	ANGLES
x ± 1.0	±1/64	x' ± 1"
x.x ± 0.5		x'x' ± 0.5'
	x.xx ± 0.1	

Title			
Jumper RG223 1500mm,QMA(m) and N (m)			
Drawn by	Ckd by	Appd by	Date
			08/20/2021
Scale	Sheet 1 of 1		
4:1			