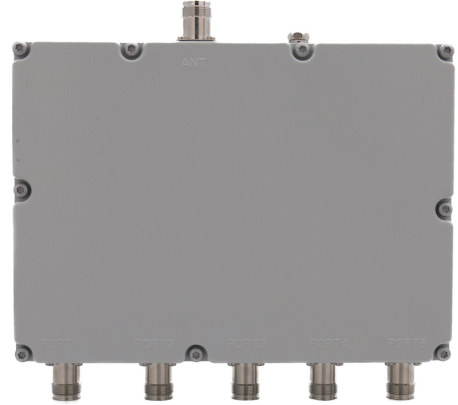


Highlights

- Integrated structure design: Filter is milled from one solid piece and has no soldered parts, guaranteeing superior electrical performance.
- Built-in lightning protection.
- Customizable DC/AISG allows full compatibility with requiring TMAs.
- Extremely lightweight and compact size.
- High-power design, customizable for various applications such as 100W/200W/300W, and more.
- Lower PIM, -160dBc @ 20w, tested on each port and each frequency band.
- Customized products are available.
- IP67 protection ensures stable performance in any environment.



Models	Descriptions
P79182123252760S	-160dBc, Single Unit, 4.3-10 Type
P79182123252760D	-160dBc, Double Unit, 4.3-10 Type
P79182123252760S-D	-160dBc, Single Unit, DIN Type
P79182123252760D-D	-160dBc, Double Unit, DIN Type

ELECTRICAL SPECIFICATIONS

Frequency	698-960MHz/1710-1880MHz/1920-2170MHz/2300-2400MHz/2500-2700MHz
Intermodulation	-160dBc (IMD3 with 2×20W)
Insertion Loss	≤0.4dB
Isolation	≥50dB
VSWR	≤1.25
Impedance	50Ω
Power Handling	300w Average
DC Bypass/AISG	MAX 3000mA
Lightning Protection	3KA; 10/350µs Pulse
MTBF	≥500,000h

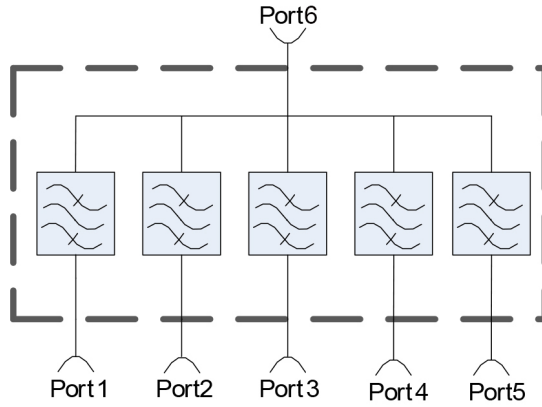
ENVIRONMENTAL SPECIFICATIONS

Operating Temperature	-20°C to +60°C -4°F to +140°F
Storage Temperature	-40°C to +85°C -40°F to +185°F
Relative Humidity	Up to 95%
Application	Indoor or Outdoor (IP67)

MECHANICAL SPECIFICATIONS

Color	Gray
Connectors	4.3-10 Female or DIN Female
Weight	3.3Kg 7.27lb/Single Unit 6.6Kg 14.55lb/Double Unit
Dimensions	231*160*49mm 9.09*6.3*1.93in/Single Unit 231*160*103mm 9.09*6.3*4.05in/Double Unit

Block Diagram



Outline Drawing

