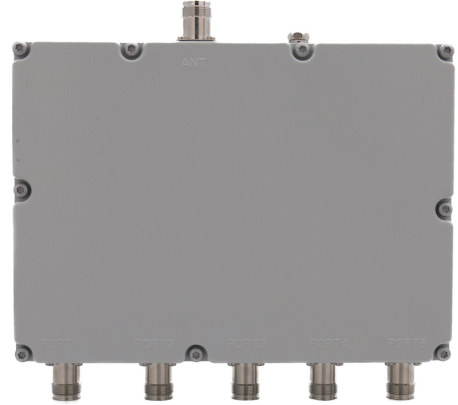


## Highlights

- Integrated structure design: Filter is milled from one solid piece and has no soldered parts, guaranteeing superior electrical performance.
- Built-in lightning protection.
- Customizable DC/AISG allows full compatibility with requiring TMAs.
- Extremely lightweight and compact size.
- High-power design, customizable for various applications such as 100W/200W/300W, and more.
- Lower PIM, -160dBc @ 20w, tested on each port and each frequency band.
- Customized products are available.
- IP67 protection ensures stable performance in any environment.



Models	Descriptions
P791821273860S	-160dBc, Single Unit, 4.3-10 Type
P791821273860D	-160dBc, Double Unit, 4.3-10 Type
P791821273860S-D	-160dBc, Single Unit, DIN Type
P791821273860D-D	-160dBc, Double Unit, DIN Type

### ELECTRICAL SPECIFICATIONS

Frequency	698-960MHz/1710-1880MHz/1920-2170MHz/2300-2700MHz/3300-3800MHz
Intermodulation	-160dBc (IMD3 with 2x20W)
Insertion Loss	≤0.4dB
Isolation	≥50dB
VSWR	≤1.25
Impedance	50Ω
Power Handling	300w Average
DC Bypass/AISG	MAX 3000mA
Lightning Protection	3KA; 10/350μs Pulse
MTBF	≥500,000h

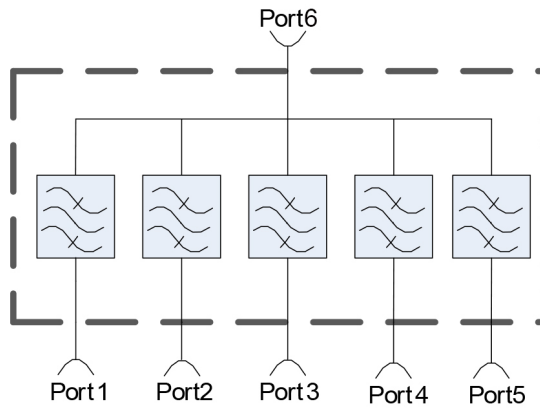
### ENVIRONMENTAL SPECIFICATIONS

Operating Temperature	-20°C to +60°C   -4°F to +140°F
Storage Temperature	-40°C to +85°C   -40°F to +185°F
Relative Humidity	Up to 95%
Application	Indoor or Outdoor (IP67)

### MECHANICAL SPECIFICATIONS

Color	Gray
Connectors	4.3-10 Female or DIN Female
Weight	4Kg   8.82lb/Single Unit <span style="float: right;">8Kg   17.64lb/Double Unit</span>
Dimensions	262*197*48mm   10.31*7.75*1.89in/Single Unit 262*197*111mm   10.31*7.75*4.37in/Double Unit

## Block Diagram



## Outline Drawing

