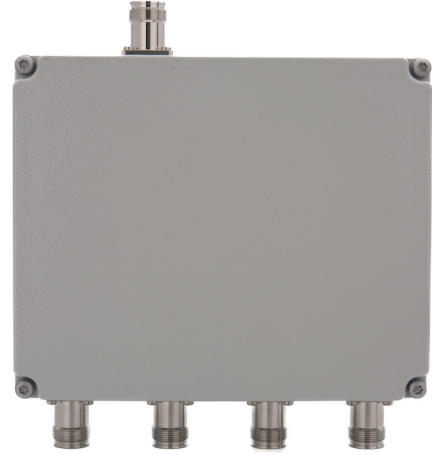


Highlights

- Integrated structure design: Filter is milled from one solid piece and has no soldered parts, guaranteeing superior electrical performance.
- Built-in lightning protection.
- Customizable DC/AISG allows full compatibility with requiring TMAs.
- Extremely lightweight and compact size.
- High-power design, customizable for various applications such as 100W/200W/300W, and more.
- Lower PIM, -160dBc @ 20w, tested on each port and each frequency band.
- Customized products are available.
- IP67 protection ensures stable performance in any environment.



Models	Descriptions
Q6917212327333860S	-160dBc, Single Unit, 4.3-10 Type
Q6917212327333860D	-160dBc, Double Unit, 4.3-10 Type
Q6917212327333860S-D	-160dBc, Single Unit, DIN Type
Q6917212327333860D-D	-160dBc, Double Unit, DIN Type

ELECTRICAL SPECIFICATIONS

Frequency	617-960MHz/1710-2170MHz/2300-2700MHz/3300-3800MHz
Intermodulation	-160dBc (IMD3 with 2x20W)
Insertion Loss	≤0.3dB
Isolation	≥50dB
VSWR	≤1.25
Impedance	50Ω
Power Handling	300w Average
DC Bypass/AISG	MAX 3000mA
Lightning Protection	3KA; 10/350μs Pulse
MTBF	≥500,000h

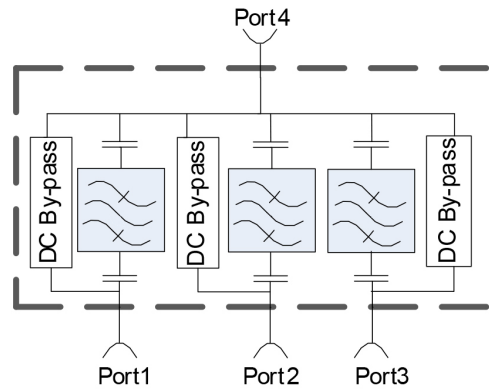
ENVIRONMENTAL SPECIFICATIONS

Operating Temperature	-20°C to +60°C -4°F to +140°F
Storage Temperature	-40°C to +85°C -40°F to +185°F
Relative Humidity	Up to 95%
Application	Indoor or Outdoor (IP67)

MECHANICAL SPECIFICATIONS

Color	Gray
Connectors	4.3-10 Female or DIN Female
Weight	2.7Kg 5.95lb/Single Unit 5.4Kg 11.9lb/Double Unit
Dimensions	195*170*50mm 7.67*6.69*1.97in/Single Unit 195*170*104mm 7.67*6.69*4.09in/Double Unit

Block Diagram



Outline Drawing

