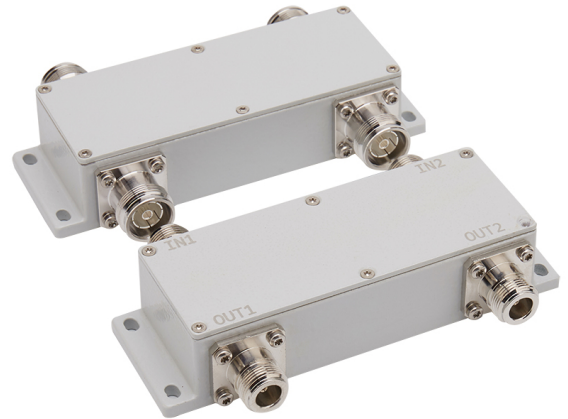


Highlights

- Integrated cavity design, guaranteeing superior performance and reliability.
- Full band up to 6GHz, covering 5G systems.
- Lower PIM, -160dBc @ 20w, tested on each port and each frequency band.
- Customized products are available.
- IP67 protection ensures stable performance in any environment.



Models	Descriptions
V4H338-M6P	2x2 Hybrid Combiners, 340-3800MHz, -160dBc, 4.3-10 Type, IP67
V4H338-N6P	2x2 Hybrid Combiners, 340-3800MHz, -160dBc, N Type, IP67
V4H727-M6P	2x2 Hybrid Combiners, 698-2700MHz, -160dBc, 4.3-10 Type, IP67
V4H727-N6P	2x2 Hybrid Combiners, 698-2700MHz, -160dBc, N Type, IP67
V4H742-M6P	2x2 Hybrid Combiners, 698-4200MHz, -160dBc, 4.3-10 Type, IP67
V4H742-N6P	2x2 Hybrid Combiners, 698-4200MHz, -160dBc, N Type, IP67
V4H560-M6P	2x2 Hybrid Combiners, 555-6000MHz, -160dBc, 4.3-10 Type, IP67
V4H560-N6P	2x2 Hybrid Combiners, 555-6000MHz, -160dBc, N Type, IP67

ELECTRICAL SPECIFICATIONS

Frequency	340-3800MHz	698-2700MHz	698-4200MHz	555-6000MHz
Intermodulation	-160dBc (IMD3 with 2x20W)			
Insertion Loss	3.0dB±1.0dB	3.0dB±0.8dB	3.0dB±0.8dB	3.0dB±1.2dB
Isolation	≥22dB			
VSWR	≤1.25			
Impedance	50Ω			
Power Handling per Port	200w			
MTBF	≥500,000h			

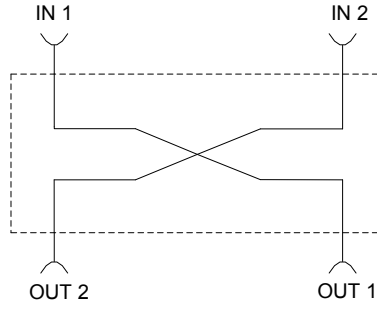
ENVIRONMENT SPECIFICATIONS

Operating Temperature	-30°C to +75°C -22°F to +167°F
Storage Temperature	-40°C to +85°C -40°F to +185°F
Relative Humidity	Up to 95%
Application	Indoor or Outdoor (IP67)

MECHANICAL SPECIFICATIONS

Color	Black or Gray		
Connectors	4.3-10 Female or N Female or DIN Female		
Weight	1.8Kg 3.97lb	1.2Kg 2.64lb	
Dimensions	183.4*45.2*31mm 7.22*1.78*1.22in	144.2*46.6*31mm 5.68*1.83*1.22in	

Block Diagram



Outline Drawing

